

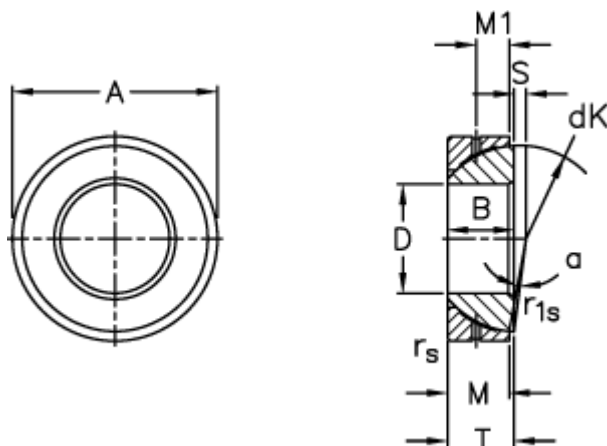
# Data Sheet



Article number: 03509035

Description: Fluro Rod end GE 35SX

## Measures



A	= 62 0 -0,016	S	= 2.1
B	= 18	Static load C0 (kN)	= 390
D	= 35 0 -0,012	T	= 18 +0,25 -0,40
dK	= 55.5	Tilt angle	= 4
Dynamic load C (kN)	= 76.5	Weight	= 268
M	= 16		
M1	= 9		
rs, r1s min	= 1		